



## STRENGTHS

- > Ideal for renovating homes that suffer from damp and mould problems but have no attic space
- > Compact design for discreet installation in the living area
- > Flow rate up to 108 m<sup>3</sup>/hour
- > Control following supply air temperature

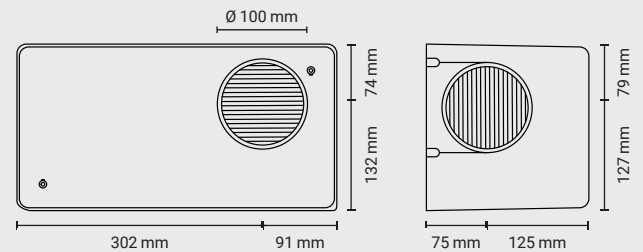
Description	Ref. no.
Wally	1301.0002

## DESCRIPTION

- > ABS cover
- > Expanded polypropylene (PPE) insulation
- > DC type very low consumption motor
- > G4 pollen filter - ePM10 (in accordance with ISO 16890)
- > 2 air inlet positions and 2 supply positions for 16 installation options
- > Flow rate adjustment via 4 preset speeds (from 1 to 4 chambers) or manually between 36 and 108 m<sup>3</sup>/h
- > Control following supply air temperature:
  - If the temperature exceeds 27°C (adjustable during commissioning between 26 and 35°C), the fan automatically switches to standby (no air flow)
  - In "radon" mode, the fan continues to operate until the maximum temperature of 40°C is reached
- > Built-in preheating system for blown air:
  - 16 temperatures from 5°C to 20°C
- > Boost / Over-ventilation mode: the fan runs at maximum speed for 1, 2, 4 or 8 hours
- > Operating history

## DIMENSIONS

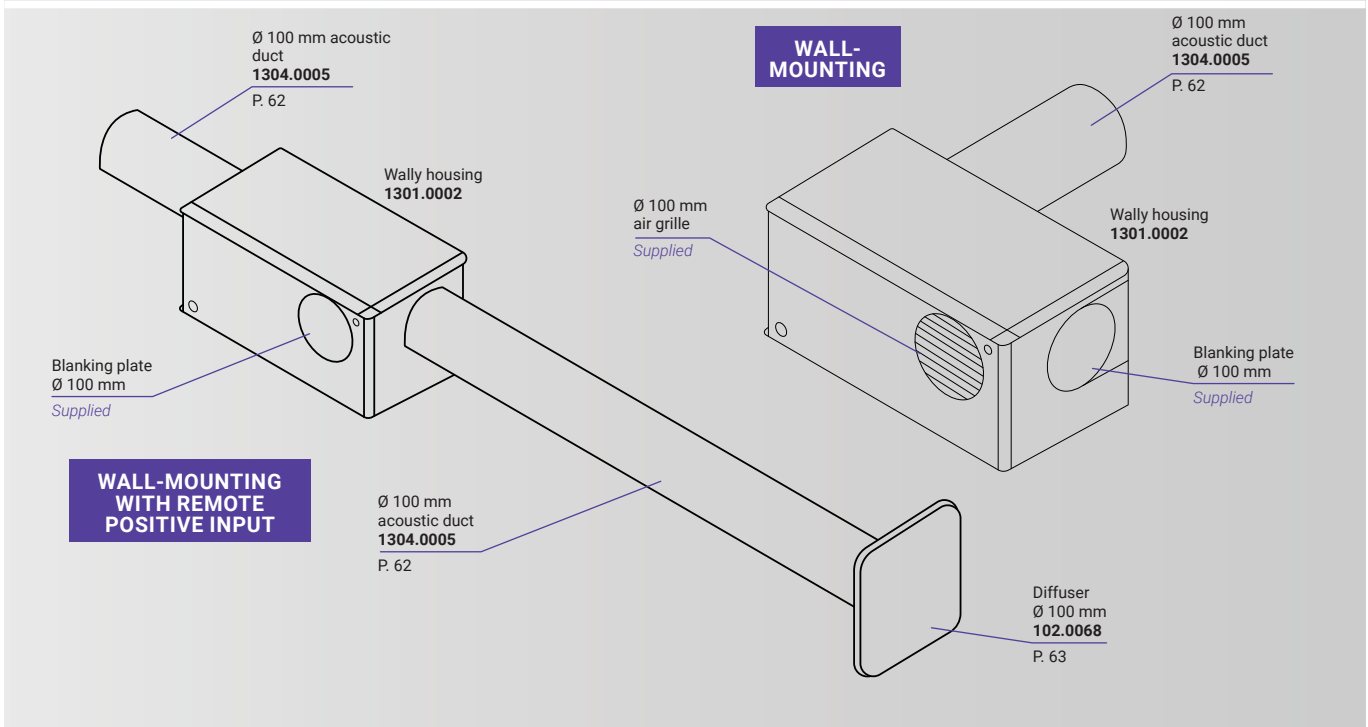
Weight: 3 kg



## TECHNICAL DATA

- > Maximum flow rate: 108 m<sup>3</sup>/h
- > Maximum recommended surface area: 70 m<sup>2</sup>
- > Maximum motor output: 30 W
- > Maximum electric heating capacity: 300 W
- > Voltage: 220-240 V 50Hz single-phase
- > Module rating: IPX2
- > Maximum operating temperatures: -10°C / 40°C

## EXAMPLES OF A TYPICAL NETWORK



## PERFORMANCE

Speed	Bedrooms	Flow rate (m <sup>3</sup> /h)	Power (W)	dB(A) <sup>(1)</sup>
1	1	46	4.0	11.6
2	2	61	8.3	18.9
3	3	75	12.5	25.4
4	4	90	18.3	29.7

<sup>(1)</sup> Measured at 3m

## BOX CONTENTS

Description	Quantity
Wally housing	1
G4 pollen filter - ePM10	1
Ø 100 mm collar	2
Blanking plate Ø 100 mm	2
Ø 100 mm air grille	1

### MEMO

To complete the installation, don't forget the self-adjusting air outlets, the 10 A circuit breaker, the power cable, the trunking, etc.

## ACCESSORIES

Description	Ref. no.	Details
G4 pollen filter - ePM10	1305.0007	P. 59
Fine particle filter F7 - ePM2.5	1305.0008	P. 59
Acoustic duct Ø 100 mm - 1m	1304.0005	P. 62
Cladding plate 400 mm without grille	1304.0007	P. 63
400 mm cladding plate with right-hand grille	1304.0008	P. 63
400mm cladding plate with left-hand grille	1304.0009	P. 63
Cladding profile 200x200x2 m	1304.0010	P. 63
Pair of end caps	1304.0011	P. 63
End cap with grille	1304.0012	P. 63
Internal trim elbow	1304.0013	P. 63
External cladding elbow	1304.0018	P. 63
Silencer kit	1304.0006	P. 63
Diffuser Ø 100 mm	102.0068	P. 63